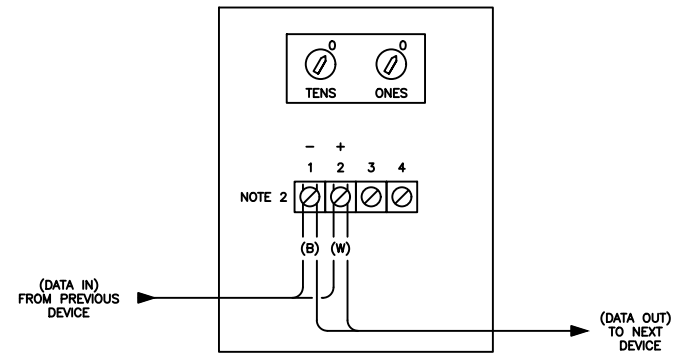
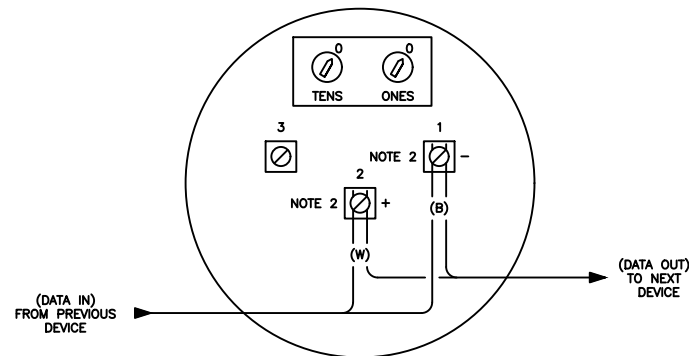


PULL STATION
P/N: XXX



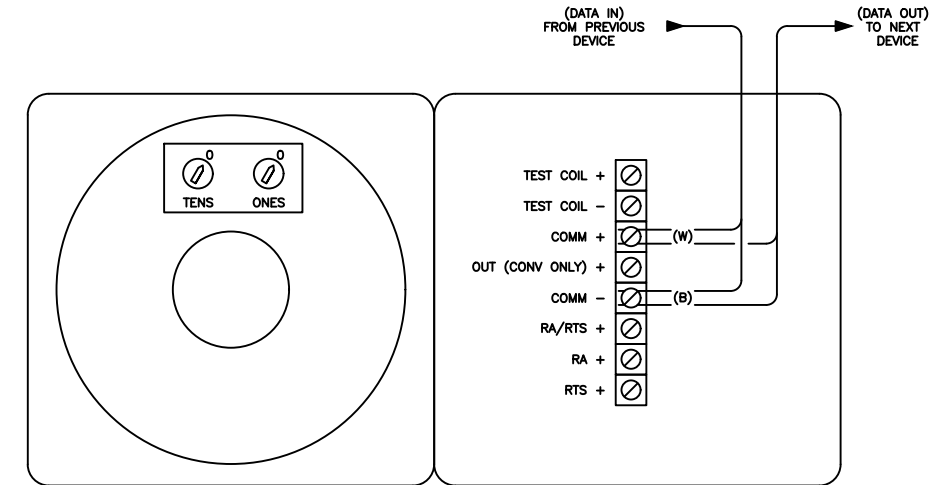
- NOTES**
1. SET ADDRESS TO LAST DIGITS OF SYMBOL. FOR EXAMPLE L01-M-02, SET TENS TO 0 AND ONES 2.
 2. DO NOT LOOP WIRE UNDER TERMINAL 1 OR 2. BREAK WIRE RUN TO PROVIDE SUPERVISION OF CONNECTIONS.

HEAT/SMOKE DETECTOR
P/N: XXX, YYY



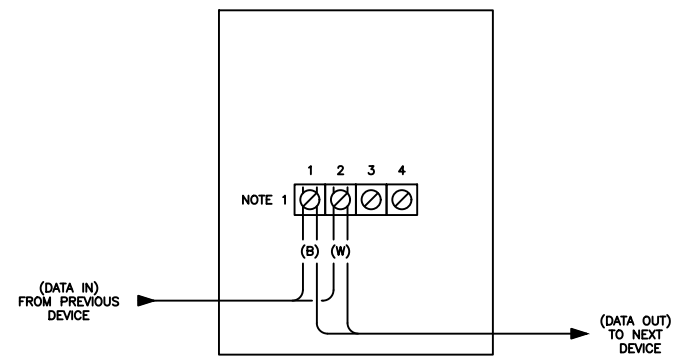
- NOTES**
1. SET ADDRESS TO LAST DIGITS OF SYMBOL. FOR EXAMPLE L01-D-45, SET TENS TO 4 AND ONES 5.
 2. DO NOT LOOP WIRE UNDER TERMINAL 1 OR 2. BREAK WIRE RUN TO PROVIDE SUPERVISION OF CONNECTIONS.

DUCT DETECTOR
P/N: XXX, YYY



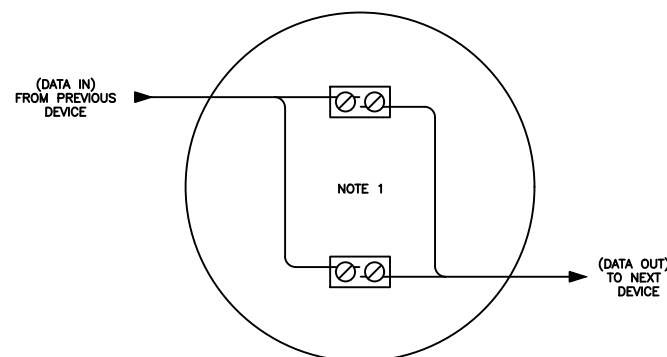
- NOTES**
1. SET ADDRESS TO LAST DIGITS OF SYMBOL. FOR EXAMPLE L01-D-26, SET TENS TO 2 AND ONES 6.

PULL STATION (NON-ADDR)
P/N: XXX



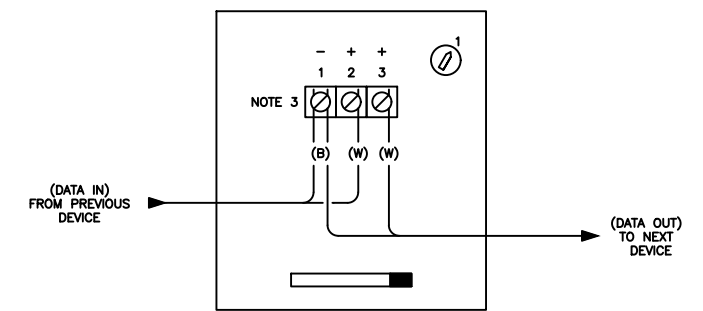
- NOTES**
1. DO NOT LOOP WIRE UNDER TERMINAL 1 OR 2. BREAK WIRE RUN TO PROVIDE SUPERVISION OF CONNECTIONS.

HEAT DETECTOR (NON-ADDR)
P/N: XXX



- NOTES**
1. DO NOT LOOP WIRE UNDER TERMINALS. BREAK WIRE RUN TO PROVIDE SUPERVISION OF CONNECTIONS.

HORN/STROBE COMBO
P/N: XXX



- NOTES**
1. ADJUST THE SLIDE SWITCH ON THE REAR OF THE HORN/STROBE TO POSITION THE CANDELA SETTING IN THE SMALL WINDOW IN FRONT OF THE HORN/STROBE TO 115.
 2. TURN THE ROTARY DIAL TO POSITION 1 FOR TEMPORAL HIGH.
 3. DO NOT LOOP WIRE UNDER TERMINAL 1 OR 2. BREAK WIRE RUN TO PROVIDE SUPERVISION OF CONNECTIONS.

NOTES

6				PROJECT
5				WIRING
4				
3				
2				TITLE SAMPLE
1	AA	ISSUED FOR REVIEW.	YY/MM/DD	
#	BY	DESCRIPTION	DATE	DRAWN BB
				DATE YYYY/MM/DD
	PHONE			CHKD CC
	OFFICE			CONTRACT # N/A
				SCALE NTS
				DWG. # 1 of 1