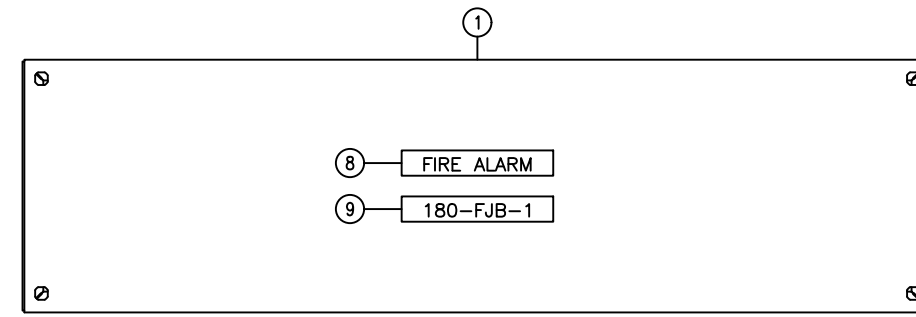
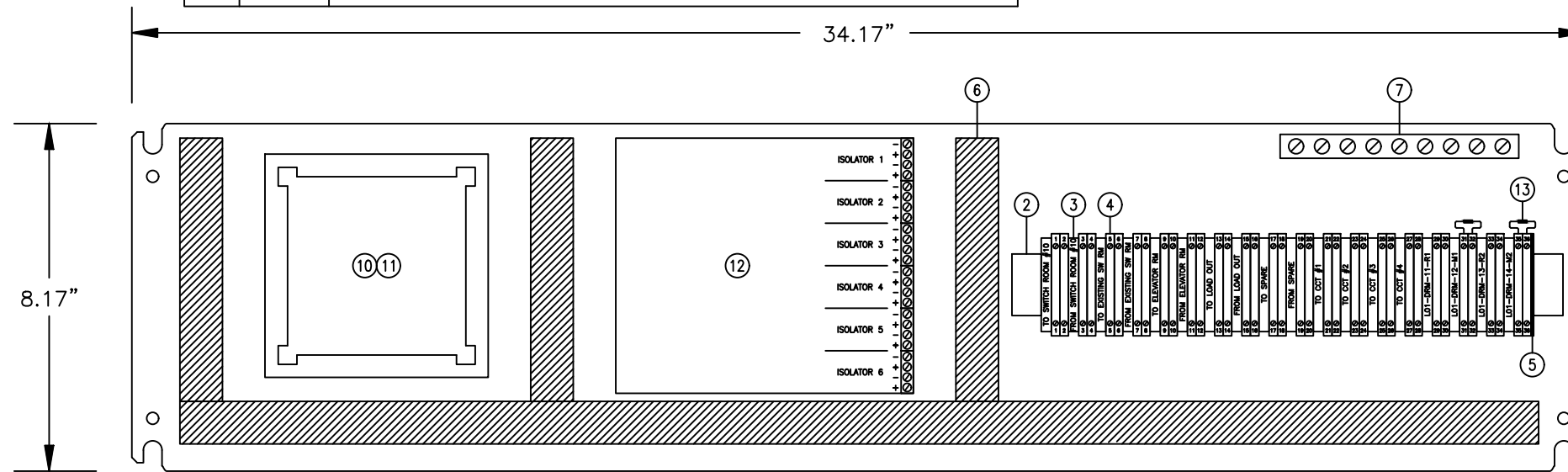


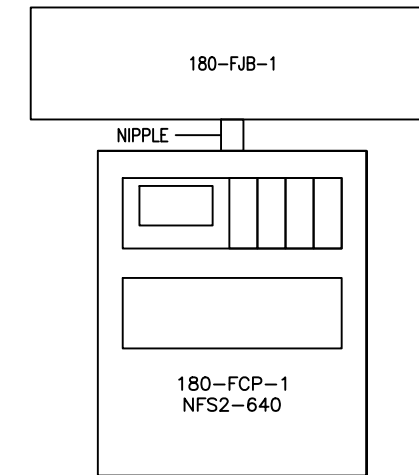
BILL OF MATERIAL		
ITEM	QUANTITY	DESCRIPTION
1	1	HAMMOND SPLITTER TROUGH 36"L X 10"H X 6"D C/W MOUNTING FEET (XXX)
2	1	WEIDMULLER TS35 SLOTTED DIN RAIL (XXX)
3	36	WEIDMULLER WDU 2.5 TERMINAL BLOCK (XXX)
4	18	WEIDMULLER BLOCK LABEL/ANCHOR AND LENS (XXX, YYY)
5	1	WEIDMULLER END PLATE FOR TERMINAL BLOCK (XXX)
6	AS REQ	PANDUIT 1"W X 4"H
7	1	GROUND BAR
8	1	LAMICOID 6"W X 1"H - WHITE LETTERING ON RED BACKGROUND
9	1	LAMICOID 6"W X 1"H - BLACK LETTERING ON WHITE BACKGROUND
10	1	IBERVILLE 4"x4" BOX (XXX)
11	1	DUAL RELAY AND DUAL MONITORING MODULE (XXX)
12	1	SIX FAULT ISOLATION MODULE (XXX)
13	2	47K RESISTOR



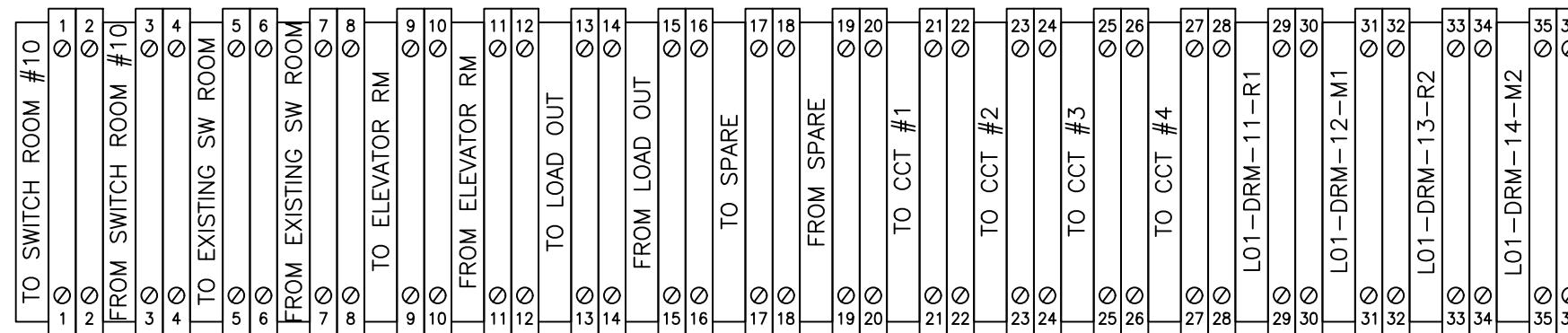
FRONT VIEW



INNER PANEL



LAYOUT



EXPANDED VIEW

NOTES

6				PROJECT
5				FJB - BOM AND LAYOUT
4				
3				
2				TITLE SAMPLE
1	AA	ISSUED FOR REVIEW.	YY/MM/DD	
#	BY	DESCRIPTION	DATE	DRAWN BB DATE YYYY/MM/DD
	PHONE			CHKD CC CONTRACT # N/A
	OFFICE			SCALE NTS DWG. # 1 of 1

