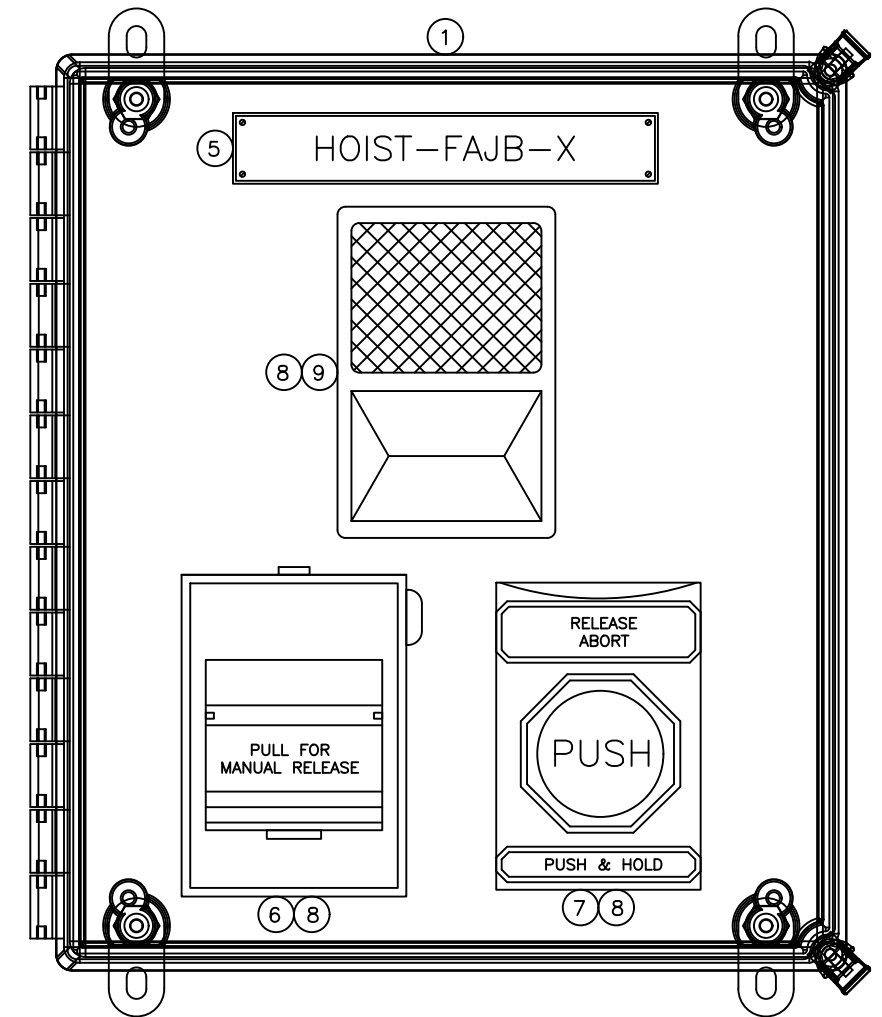
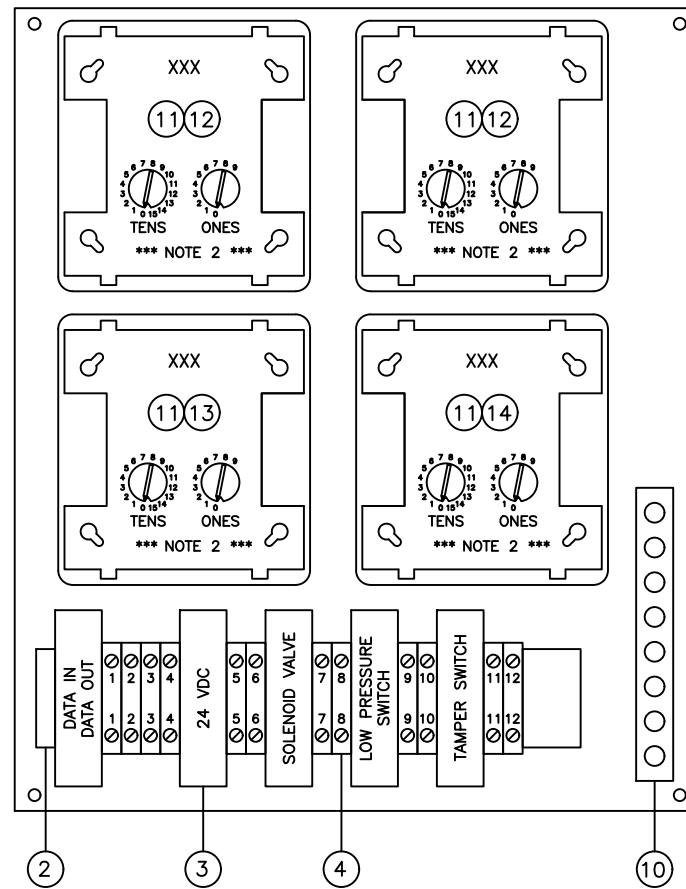


| BILL OF MATERIAL PER FABJ – QTY 4 FAJB | | |
|--|-----|--|
| ITEM | QTY | DESCRIPTION |
| 1 | 1 | HOFFMAN JUNCTION BOX (XXX) |
| 2 | 1 | DIN RAIL (SHOP SUPPLIED) |
| 3 | 5 | TERMINAL BLOCK LABEL (SHOP SUPPLIED) |
| 4 | 12 | TERMINAL BLOCKS (SHOP SUPPLIED) |
| 5 | 1 | LAMICOID WITH WHITE SURFACE AND BLACK LETTERING – SEE SCHEDULE |
| 6 | 1 | MANUAL RELEASE STATION (XXX) |
| 7 | 1 | MANUAL ABORT STATION (XXX) |
| 8 | 3 | 47K OHMS TERMINATING RESISTOR |
| 9 | 1 | SYSTEM SENSOR HORN-STROBE (XXX) |
| 10 | 1 | GROUND BAR |
| 11 | 4 | 4" SQUARE DEEP, IBERVILLE OR EQUIVALENT |
| 12 | 2 | DUAL RELAY/MONITOR MODULE (XXX) |
| 13 | 1 | NAC CONTROL MODULE (XXX) |
| 14 | 1 | RELEASING MODULE (XXX) |

| LAMICOID SCHEDULE AND MODULE ADDRESS | | | | | | |
|--------------------------------------|--------------|--------------------------------|----------------------------------|-----------------------------------|------------------------------------|---|
| ITEM | LAMICOID | SUPPRESSION SYSTEM DESCRIPTION | FDRM-1(A) TOP LEFT ADDRESS | FDRM-1(A) TOP RIGHT ADDRESS | FCM-1(A) BOTTOM LEFT ADDRESS | FCM-1-REL(A) BOTTOM RIGHT ADDRESS |
| 1 | HOIST-FAJB-2 | LUBRICATION SYSTEM A91 AND A92 | 21 | 22 | 23 | 24 |
| 2 | HOIST-FAJB-3 | POWER SYSTEM COOLING TRAIN A81 | 25 | 26 | 27 | 28 |
| 3 | HOIST-FAJB-4 | BRAKE HYDRAULIC SOUTH A30 | 29 | 30 | 31 | 32 |
| 4 | HOIST-FAJB-5 | BRAKE HYDRAULIC NORTH A40 | 33 | 34 | 35 | 36 |



NOTES

- 1) INSTALL TERMINAL BLOCKS/DIN RAIL AT AN ANGLE TO EASE FIELD WIRING.
- 2) SEE TABLE "LAMICOID SCHEDULE AND MODULE ADDRESS" FOR MODULE ADDRESS.

NOTES

| | | | | |
|---|----|--------------------|----------|-----------------|
| 6 | | | | PROJECT |
| 5 | | | | INTERFACE FJB |
| 4 | | | | BOM AND LAYOUT |
| 3 | | | | TITLE SAMPLE |
| 2 | | | | |
| 1 | AA | ISSUED FOR REVIEW. | YY/MM/DD | |
| # | BY | DESCRIPTION | DATE | DRAWN BB |
| | | | | DATE YYYY/MM/DD |
| | | | | CONTRACT # N/A |
| | | | | SCALE NTS |
| | | | | DWG. # 1 of 1 |

